

Is Stamping process still by hands? Here is a Stamping Cutter!!



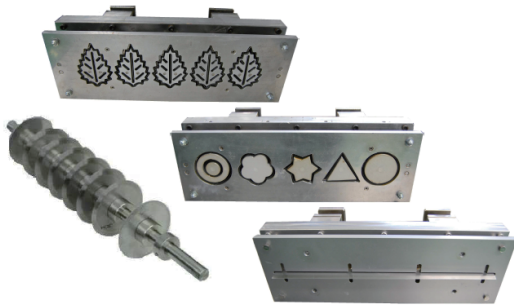
**By its compact size,
it is possible to use in narrow kitchen!
Conveyor is foldable!
It is possible to do stable and efficient producing,
by automatic stamp-cutting
instead of stamping by hands.**

Dimension

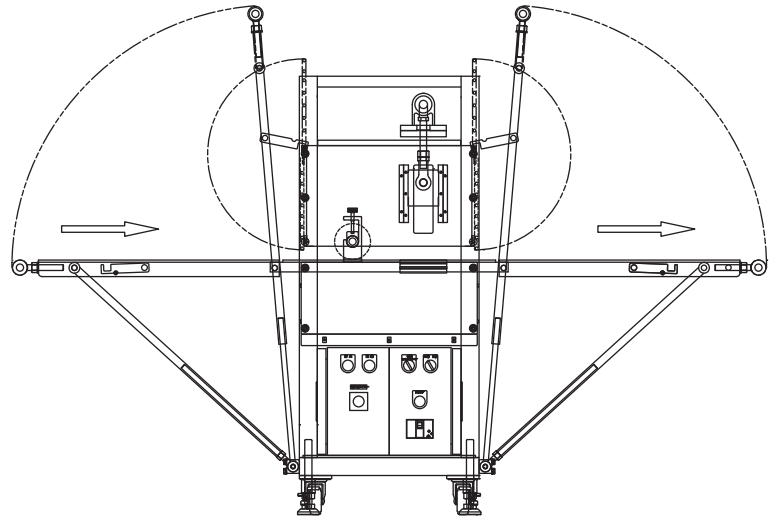
W2100 × D700 × H1560mm

Depth of Belt 420mm ※ Cuttable Depth 360mm

KTC Compact Cutter



**All stamping cutters are order-made!
Leaf pie, ○△□, animals, shapes etc.
Tell us which shapes you want!
Stamping Cutters are able to be set and
disparted without any tools.
It is easy to clean and do maintenance!
We are also product specific machine!
「We want to extend a depth of belt!」
「We want to an automatic panning!」
We appreciate you to contact us!**



KAMATA MACHINERY WORKS CO.,LTD Hidaka Plant / Sales Dept.

POST 350-1205 746 Harajuku, Hidaka-shi, SAITAMA

TEL +81-42-984-1261 FAX +81-42-978-6683 URL <http://www.kamata-machine.co.jp>